

Radio Management Unit

RMU 5000-X-XXXX

Prime Line/Radio Management Unit



The Becker Radio Management Unit RMU 5000-X provides "state of the art" centralized radio control for up to three separate functions, thus saving valuable installation space in a crowded avionic panel.

It is compact, lightweight, TSO & ETSO certified and the perfect complement to the Becker Prime Line remote controlled avionics equipment package.

The RMU 5000-X is available in two different versions.

Version 1, RMU 5000-1-XXXX, provides control for different types of VHF-COM Transceiver, VOR-ILS Receiver and Transponders (AC-Mode and S-Mode) with additional encoder based indication of the actual flight level.

Version 2, RMU 5000-2-XXXX, provides control for different types of VHF-COM Transceivers, VOR-ILS Receiver and ADF Receiver.

Both models together complete the European basic IFR equipment requirement.

The non-reflecting LC-Display is fully sunlight readable and due with its adjustable backlight it is equally readable during night operation.

The tandem control capability satisfies the requirements for trainer aircraft.

The RMU5000-X-XXXX may be housed in the standard 160 mm single compact case, or alternatively a DZUS mountable version is available for easy installation

Radio Management Unit

RMU 5000-X-XXXX

Prime Line/Radio Management Unit

Technical data:

- Triple function radio Management Unit:
COM, NAV, XPDR or ADF
- Full graphical LC-Display
- Active and Preset Frequency indication
- Illumination: 14/28VDC, green, dimmable
- Operating Temp. Range: -20° C ... +55° C
- Operating Voltage: 18 VDC ... 35 VDC
- Current consumption: 0.2 A
- Weight: 0.74 kg (1.6 lbs)
- Certification: TSO-C37d, C38d, C40c, C74c,
C41d, ETSO-2C38d, 2C40c,
2C74c, 2C41d

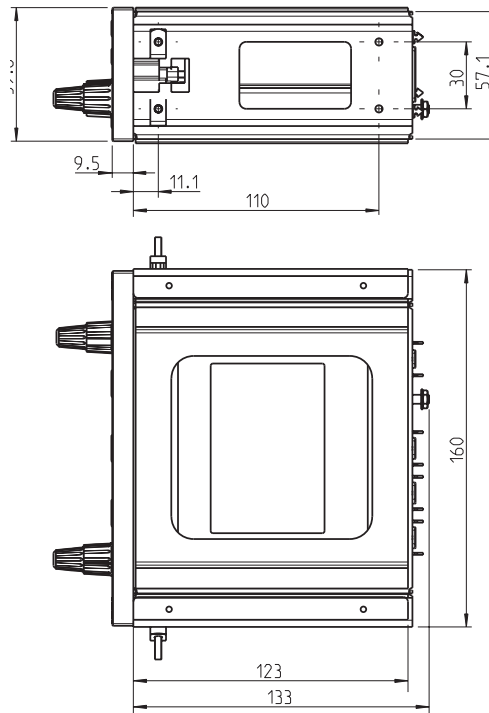
Available types:

- RMU 5000-1-1110 DZUS-Mount:
AN: 0534.552-908
Control of: VHF-COM (RT3209-X, RT5202
NAV (RN3320-X)
XPDR (ATC4401-X, BXP6402-X)
- RMU 5000-2-1110 DZUS-Mount:
AN: 0534.579-908
Control of: VHF-COM (RT3209-X, RT5202
NAV (RN3320-X)
ADF (RA3502-X)
- RMU 5000-1-2110 160 mm Standard-Mount:
AN: 0534.560-908
Control of: VHF-COM (RT3209-X, RT5202
NAV (RN3320-X)
XPDR (ATC4401-X, BXP6402-X)
- RMU 5000-2-2110 160 mm Standard-Mount:
AN: 0534.587-908
Control of: VHF-COM (RT3209-X, RT5202
NAV (RN3320-X)
ADF (RA3502-X)

Recommended connector kits:

- COM/NAV/XPDR or ADF connection:
3* CK5015S, soldering version AN: 0552.925-954
3* CK5015C, crimp version AN: 0552.933-954
- Tandem Interconnection:
1* CK50095S, soldering version AN: 0556.671-954
1* CK5009C, crimp version AN: 0556.688-954

Standard mount:



DZUS mount:

